

# RBT

**ROD END FEMALE**    **SELF-LUBRICATING**    **2 PIECE**

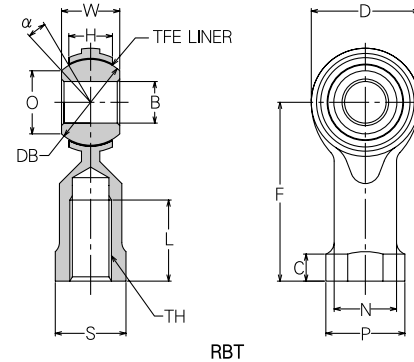
**Materials**

**BODY** 303 Stainless Steel  
**BALL** 440C Stainless Steel  
**LINER** Teflon / Fabric

**Description of Types**

**RBT D L xx T**

- No Letter Indicates Standard Breakaway Torque  
Letter "T" Indicates Low Breakaway Torque
- Bearing Bore Code
- No Letter Indicates Right Hand Thread  
Letter "L" Indicates Right Hand Thread
- For X-1276 LINER add suffix "D"
- Basic Part No.



Dimensions in mm

MINEBEA Part No.	$\phi B$ H7	$\phi D$ $\pm 0.5$	$W$ 0 -0.13	$H$ $\pm 0.3$	$F$ $\pm 0.5$	TH JIS Class 2	$L$ $\pm 0.7$	$\phi N$ $\pm 0.5$	$\phi P$ $\pm 0.5$	$C$ $\pm 0.7$	$S$ $\pm 0.25$	$\alpha$ (deg.)	$\phi O$ Ref.	$S \phi DB$ Ref.	Radial Static Limit Load kN	Static Ultimate Load kN	Approx. Weight g
RBT3	3	12	6	4.50	21	M3 × 0.5	10.0	6.5	8.0	3.0	7	11	6.8	9.04	0.41	1.66	10
RBT4	4	14	7	5.25	24	M4 × 0.7	12.0	8.0	9.5	4.0	8	12	7.6	10.32	0.60	2.45	12
RBT5	5	16	8	6.00	27	M5 × 0.8	12.5	9.0	11.0	5.0	9	10	8.8	11.91	0.98	7.84	16
RBT6	6	18	9	6.75	30	M6 × 1.0	13.5	10.0	13.0	6.0	11	10	11.1	14.29	1.44	8.62	25
RBT8	8	22	12	9.00	36	M8 × 1.25	16.0	12.5	16.0	7.0	14	12	12.7	17.46	2.69	11.76	43
RBT10	10	26	14	10.50	43	M10 × 1.5	19.5	15.0	19.0	8.0	17	12	15.2	20.64	4.16	16.67	72
RBT12	12	30	16	12.00	50	M12 × 1.75	24.0	17.5	22.0	9.0	19	12	17.6	23.81	5.88	23.53	107
RBT14	14	34	19	13.50	57	M14 × 2.0	27.0	20.0	25.0	10.0	22	14	19.2	26.99	6.61	26.47	160
RBT15	15	36	20	14.50	61		30.0	21.0	26.0	11.0		13	21.5	29.37	8.09	32.36	185
RBT16	16	38	21	15.00	64	M16 × 2.0	33.0	22.0	27.0	12.0	15	19.4	28.58	8.33	33.34	210	
RBT18	18	42	23	16.50	71	M18 × 1.5	36.0	25.0	31.0	13.0	27	15	21.9	31.75	11.52	46.09	295
RBT20	20	46	25	18.00	77	M20 × 1.5	40.0	27.5	34.0	14.0	30	14	24.4	34.93	12.01	48.05	380
RBT22	22	50	28	20.00	84	M22 × 1.5	43.0	30.0	37.0	15.0	32	15	25.8	38.10	13.48	53.93	490
RBT25	25	56	31	22.00	94	M24 × 2.0	48.0	33.5	42.0	16.0	36	15	29.6	42.86	17.40	69.62	870
RBT28	28	62	35	24.00	103	M27 × 2.0	53.0	37.5	46.0	17.0	41	17	32.3	47.63	20.83	83.35	1180
RBT30	30	66	37	25.00	110	M30 × 2.0	56.0	40.0	50.0	18.0	41	17	34.8	50.80	24.76	99.04	1450

**Notes**

- Teflon liner permanently bonded to Body I.D.
  - Oscillation load shall be kept within the static load range, as Teflon liner load endurance is greater than body breaking load.
  - Made to order only. (from RBT15 to RBT30)
  - No Load Rotational Breakaway Torque.  
 Standard All Size: 0.02 ~ 0.34N · m  
 Low Torque All Size: 0.02N · m MAX  
 (Radial Clearance 0.05mm MAX)
- Please consult Minebea for availability of bearings in this series.

Bore size	~ 3	~ 6	~ 10	~ 18	~ 30
H7 Tolerance (μm)	+ 10 0	+ 12 0	+ 15 0	+ 18 0	+ 21 0